



# WP30R PROFILE

WEATHER & PRESSURE PROOF  
FLAT LINEAR PROFILE LUMINAIRE



Silver Anodized,  
Frosted Diffuser

## PROFILE FINISHING

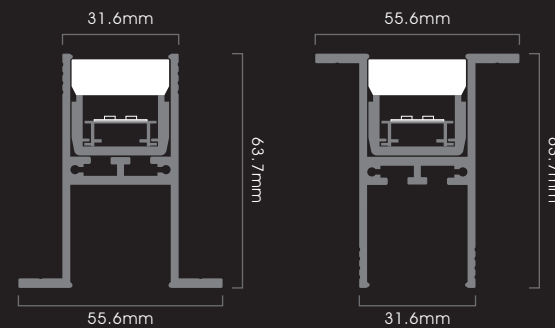
Silver Anodized



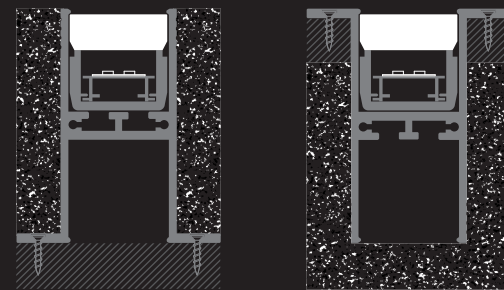
DIFFUSER

Frosted

## DIMENSION



## INSTALLATION



Beam Angle: 115°



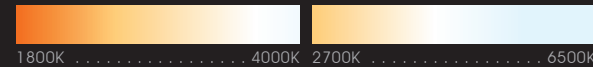
- Profile Type : 31.6mm width aluminium linear profile
- Profile Finishing : Silver Anodised
- Diffuser : Frosted
- Light Uniformity : Dot-less
- Mounting : Recessed, or embedded
- Compatible LED Module : FM6, FM8 TW, FM8 WD, FM10 WD, FM10 RGB, FM12 RGBW
- CRI : Ra>90, R9>50
- SDCM : 3 step MacAdam ellipse binning
- Lifetime : Up to 50,000 hours L80 lamp life at Ta = 25°C
- Voltage : 24V DC
- Maximum Power : 20W/m
- Length Options : 113mm to 1963mm by increment of 50mm
- Operating Temperature : Ta (min) = -20°C, Ta (max) = +50°C
- Wire Connection : Supplied with insulated IP67 wires and connector at 200mm length
- IP Rating : IP67
- IK Rating : IK10
- Profile LOR : 47% (Frosted diffuser)

#### ▣ CCT OPTIONS

Single CCT



Tunable-White



Dim-to-Warm



RGB

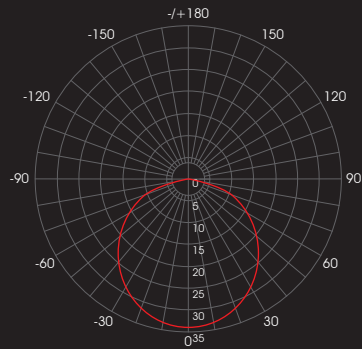


RGBW



PHOTOMETRICS

With FM6 20W/m



Correction Factor : FM6 5W/m ~ f = 0.25  
 FM6 10W/m ~ f = 0.50  
 FM6 15W/m ~ f = 0.75  
 FM6 20W/m ~ f = 1.00

SPECIFICATIONS

With FM6, FM8 TW, FM8 WD Module

CCT	Efficacy (lm/W)	Luminous Flux per meter (lm/m)				Diffuser Type
		5W/m	10W/m	15W/m	20W/m	
<b>1800K</b> <b>2000K</b>	36.4	182	364	545	727	Frosted
<b>2200K</b> <b>2500K</b>	43.3	217	433	650	867	
<b>2700K</b> <b>3000K</b> <b>3500K</b>	49.8	249	498	747	996	
<b>4000K</b> <b>5000K</b> <b>5700K</b> <b>6500K</b>	52.3	261	523	784	1046	

With FM10 WD Module

CCT	Dimming Level	Efficacy (lm/W)	Luminous Flux per meter (lm/m)	Diffuser Type
			15W/m	
<b>1800K</b>	7%	31.3	33	Frosted
<b>2000K</b>	16%	35.1	84	
<b>2200K</b>	20%	38.9	117	
<b>2500K</b>	29%	44.6	194	
<b>2700K</b>	38%	48.4	276	
<b>3000K</b>	100%	54.1	812	

With FM10 RGB Module

CCT	Efficacy (lm/W)	Diffuser Type	RGB Wavelength (nm)
<b>Red</b>	14.1	Frosted	617 - 627
<b>Green</b>	27.3		515 - 525
<b>Blue</b>	5.6		464 - 474

With FM12 RGBW Module

CCT	Efficacy (lm/W)	Diffuser Type	RGB Wavelength (nm) / White CCT
<b>Red</b>	23.5	Frosted	620 - 630
<b>Green</b>	35.7		515 - 525
<b>Blue</b>	9.4		460 - 470
<b>White</b>	54.1		3000K, 4000K, 6500K

ORDERING MATRIX

FULLY ASSEMBLED WITH FLEXIBLE LINEAR LED STRIP

Module	Finishing	Diffuser	Length	LED Module Power & CCT				Wire End & Exit Configuration	Ingress Protection
<b>WP30R</b>	<b>SL</b> Silver	<b>F</b> Frosted	<b>113</b> 113mm ↑ ↓ <b>1963</b> 1963mm *by every 50mm	FM6	<b>5</b> 5W/m	<b>22</b> 2200K	<b>SR</b> Single Wire End, Rear Exit	<b>IP67</b> IP67	
					<b>10</b> 10W/m	<b>25</b> 2500K			
					<b>15</b> 15W/m	<b>27</b> 2700K			
					<b>20</b> 20W/m	<b>30</b> 3000K			
						<b>35</b> 3500K			
						<b>40</b> 4000K			
						<b>50</b> 5000K			
						<b>57</b> 5700K			
						<b>65</b> 6500K			
					FM8 TW/WD	<b>5</b> 5W/m			<b>TW1840</b> Tunable-White 1800K-4000K
						<b>10</b> 10W/m			<b>TW2765</b> Tunable-White 2700K-6500K
						<b>15</b> 15W/m			<b>WD1830</b> Dim-to-Warm 1800K-3000K
					FM10 WD	<b>15</b> 15W/m			<b>WD1830</b> Dim-to-Warm 1800K-3000K
					FM10 RGB	<b>10</b> 10W/m			<b>RGB</b> RGB
						<b>15</b> 15W/m			
<b>20</b> 20W/m									
FM12 RGBW	<b>10</b> 10W/m	<b>RGBW30</b> RGBW(3000K)							
	<b>15</b> 15W/m	<b>RGBW40</b> RGBW(4000K)							
	<b>20</b> 20W/m	<b>RGBW65</b> RGBW(6500K)							

Example: WP30R-SL-F-963-5-30-SR-IP67

WP30R Profile, Silver, Frosted Diffuser, 963mm, with FM6 - 5W/m, 3000K, Single Wire End at Rear Exit, IP67, Including 2 x End Cap