



# WP25R PROFILE

WEATHER & PRESSURE PROOF  
FLAT LINEAR PROFILE LUMINAIRE



Silver Anodized,  
Frosted Diffuser

## PROFILE FINISHING

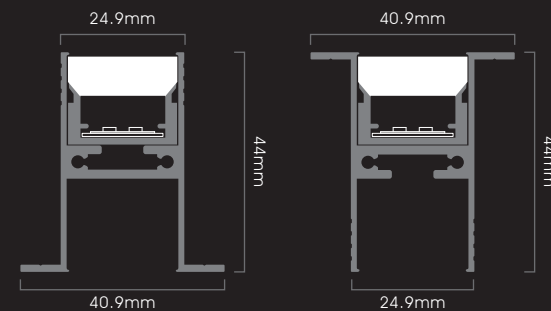
Silver Anodized



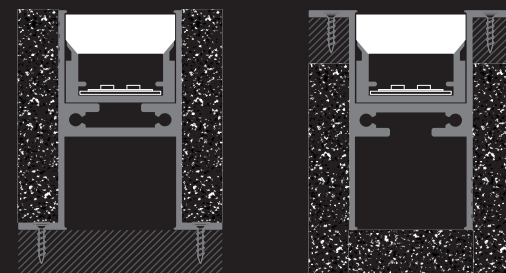
DIFFUSER

Frosted

## DIMENSION



## INSTALLATION



Beam Angle: 115°



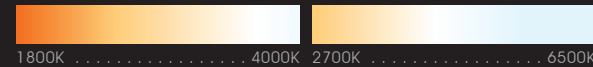
- Profile Type : 24.9mm width aluminium linear profile
- Profile Finishing : Silver Anodised
- Diffuser : Frosted
- Light Uniformity : Dot-less
- Mounting : Recessed, or embedded
- Compatible LED Module : FM6, FM8 TW, FM8 WD, FM10 WD, FM10 RGB, FM12 RGBW
- CRI : Ra>90, R9>50
- SDCM : 3 step MacAdam ellipse binning
- Lifetime : Up to 50,000 hours L80 lamp life at Ta = 25°C
- Voltage : 24V DC
- Maximum Power : 15W/m
- Length Options : 113mm to 1963mm by increment of 50mm
- Operating Temperature : Ta (min) = -20°C, Ta (max) = +50°C
- Wire Connection : Supplied with insulated IP67 wires and connector at 200mm length
- IP Rating : IP67
- IK Rating : IK10
- Profile LOR : 50% (Frosted diffuser)

#### ▣ CCT OPTIONS

##### Single CCT



##### Tunable-White



##### Dim-to-Warm



##### RGB

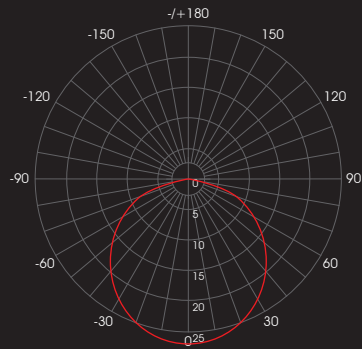


##### RGBW



PHOTOMETRICS

With FM6 15W/m



Correction Factor : FM6 5W/m ~ f = 0.33  
 FM6 10W/m ~ f = 0.67  
 FM6 15W/m ~ f = 1.00

SPECIFICATIONS

With FM6, FM8 TW, FM8 WD Module

CCT	Efficacy (lm/W)	Luminous Flux per meter (lm/m)			Diffuser Type
		5W/m	10W/m	15W/m	
<b>1800K</b> <b>2000K</b>	38.7	193	387	580	Frosted
<b>2200K</b> <b>2500K</b>	46.1	231	461	692	
<b>2700K</b> <b>3000K</b> <b>3500K</b>	53.0	265	530	795	
<b>4000K</b> <b>5000K</b> <b>5700K</b> <b>6500K</b>	55.7	278	557	835	

With FM10 WD Module

CCT	Dimming Level	Efficacy (lm/W)	Luminous Flux per meter (lm/m)	Diffuser Type
			15W/m	
<b>1800K</b>	7%	33.3	35	Frosted
<b>2000K</b>	16%	37.3	90	
<b>2200K</b>	20%	41.4	124	
<b>2500K</b>	29%	47.5	206	
<b>2700K</b>	38%	51.5	294	
<b>3000K</b>	100%	57.6	864	

With FM10 RGB Module

CCT	Efficacy (lm/W)	Diffuser Type	RGB Wavelength (nm)
<b>Red</b>	15.0	Frosted	617 - 627
<b>Green</b>	29.0		515 - 525
<b>Blue</b>	6.0		464 - 474

With FM12 RGBW Module

CCT	Efficacy (lm/W)	Diffuser Type	RGB Wavelength (nm) / White CCT
<b>Red</b>	25.0	Frosted	620 - 630
<b>Green</b>	38.0		515 - 525
<b>Blue</b>	10.0		460 - 470
<b>White</b>	57.5		3000K, 4000K, 6500K

ORDERING MATRIX

FULLY ASSEMBLED WITH FLEXIBLE LINEAR LED STRIP

Module	Finishing	Diffuser	Length	LED Module Power & CCT				Wire End & Exit Configuration	Ingress Protection	
<b>WP25R</b>	<b>SL</b> Silver	<b>F</b> Frosted	<b>113</b> 113mm ↓ ↑ <b>1963</b> 1963mm *by every 50mm	FM6	<b>5</b> 5W/m	<b>22</b>	2200K	<b>SR</b> Single Wire End, Rear Exit	<b>IP67</b> IP67	
					<b>10</b> 10W/m	<b>25</b>	2500K			
					<b>15</b> 15W/m	<b>27</b>	2700K			
						<b>30</b>	3000K			
						<b>35</b>	3500K			
						<b>40</b>	4000K			
						<b>50</b>	5000K			
						<b>57</b>	5700K			
						<b>65</b>	6500K			
					FM8 TW/WD	<b>5</b> 5W/m	<b>TW1840</b>			Tunable-White 1800K-4000K
						<b>10</b> 10W/m	<b>TW2765</b>			Tunable-White 2700K-6500K
						<b>15</b> 15W/m	<b>WD1830</b>			Dim-to-Warm 1800K-3000K
FM10 WD	<b>15</b> 15W/m	<b>WD1830</b>	Dim-to-Warm 1800K-3000K							
FM10 RGB	<b>10</b> 10W/m	<b>RGB</b>	RGB							
	<b>15</b> 15W/m									
FM12 RGBW	<b>10</b> 10W/m	<b>RGBW30</b>	RGBW(3000K)							
	<b>15</b> 15W/m	<b>RGBW40</b>	RGBW(4000K)							
		<b>RGBW65</b>	RGBW(6500K)							

Example: WP25R-SL-F-963-5-30-SR-IP67

WP25R Profile, Silver, Frosted Diffuser, 963mm, with FM6 - 5W/m, 3000K, Single Wire End at Rear Exit, IP67, Including 2 x End Cap